

ONA

**Built-in bath-shower mixer with automatic diverter (2 ways). To be completed with RocaBox A525869403**



DIMENSIONS

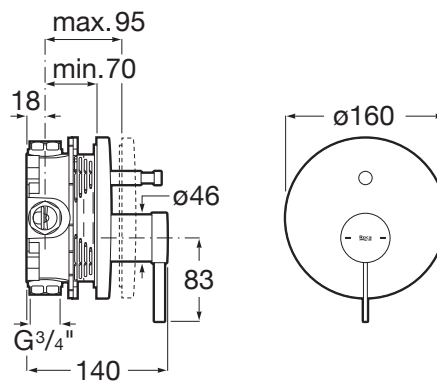
Length 140 mm  
Width 160 mm

COLOURS AND FINISHES



C0 Chrome

TECHNICAL DRAWINGS



FEATURES

- Application place: Bathtub
- Diverter: Automatic
- Faucet type: Single-lever
- Installation type: Built-in
- Water connection thread: 1/2"



Evershine



SoftTurn®

COMPATIBLE WITH



Shower head for ceiling or wall installation. Support kit / arm not included.

5B2250..0



ROUND - Handshower with 4 functions: Rain, NightRain, Tonic and Pulse

5B1107..0



Handshower with 3 functions

5B1B03..0



100/3. Handshower with 3 functions: Rain, Tonic and Pulse

5B1B03C00



1.75 m universal anti-torsion shower hose in satin flexible PVC

5B2116..0



1.75 m. anti-torsion shower hose in satin PVC

5B2116C00



Flex 1.70M Anti-Torsion Shower Hose

5B3850..0



Universal RocaBox

525869403



ROUND - 1/2" chromed water inlet for shower hose with integrated bracket for hand shower

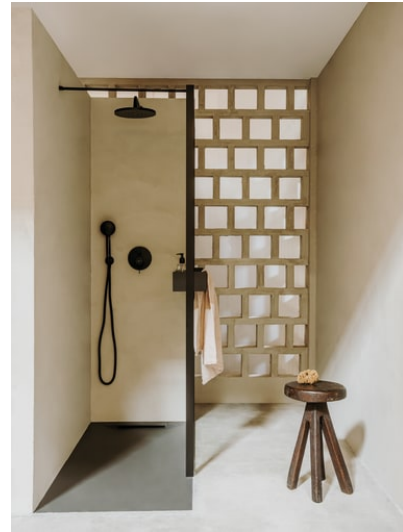
5B5250..0



ROUND - 1/2" chromed water inlet for shower hose with integrated bracket for hand shower

5B5250C00





## Ona

Simple as nature. Ona pays homage to the diverse shapes of nature from our native Mediterranean. It is functional without ever appearing cold, with crisp aesthetics that follow the inherent warmth of the natural environment, made for those who enjoy the power of silent landscapes



### INSTALLATION AND USER MANUALS

 [Installation Handbook](#)