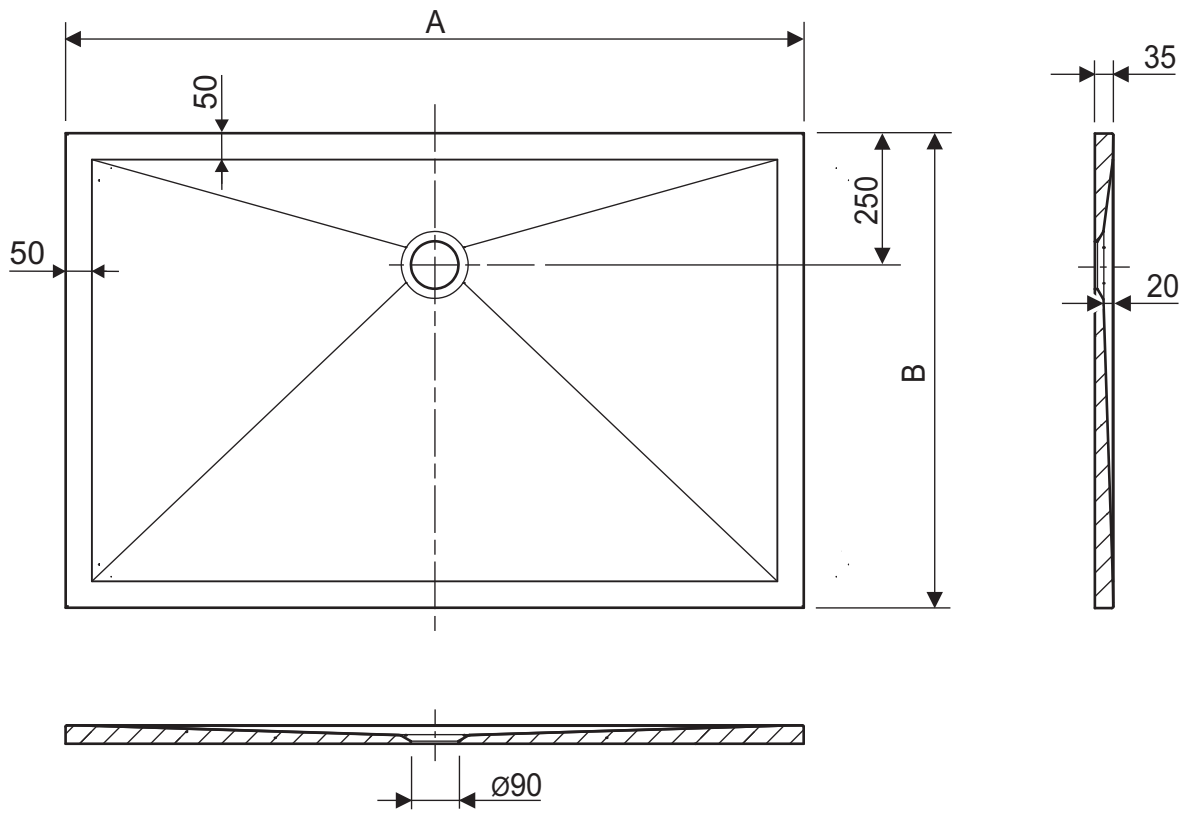


# FLAT



MODEL	A [mm]	B [mm]
100 x 75	1000	750
170 x 75	1700	750
90 x 80	900	800
100 x 80	1000	800
120 x 80	1200	800
100 x 90	1000	900
120 x 90	1200	900
140 x 90	1400	900
160 x 90	1600	900
110 x 100	1100	1000
120 x 100	1200	1000